



Industrial Controls and Belleville Springs

Ranges from 5 to 30 IN/HG and -30/0/30 IN/HG  
Rugged NEMA 4X, 12 & 13 Housing  
One or Two SPDT Contacts  
Various Wetted Materials Available



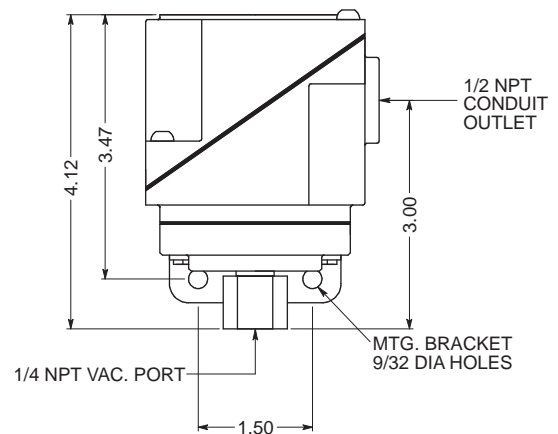
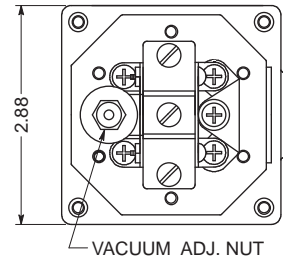
### GENERAL DESCRIPTION

The 2PS employs Solon's unique, rugged, and sensitive switching mechanism. Unlike most "inline" vacuum switch designs, the Solon mechanism is frictionless and amplifies the movement of the sensing element. This results in improved life, repeatability, and lower deadbands. The 2PS mechanism can be supplied with one S.P.D.T. electric switch or two S.P.D.T. electric switches that are independently adjustable. The unit can be supplied with no housing, or enclosed in a rugged die cast NEMA 4X, 12 and 13 housing. With the cover of the enclosure removed, the terminals of the electric switch(es), and the vacuum adjustment(s) are exposed for easy wiring and adjustment of the vacuum setting. The die cast cover is equipped with captive stainless steel screws that retain the cover gasket when the cover is removed. Other useful options can easily be specified with this model. See the Special Features section on page 2 for special wetted materials and options for particular applications.

### OTHER 2PS MODELS ARE AVAILABLE...

The modular design of sensing elements used in the 2PS series switches allows a variety of models for different applications. These applications include High Pressure, Low Pressure and Differential Pressure models using diaphragms, bellows, and pistons for actuation. See individual information sheets describing these models.

## 2PSVAC Vacuum Switch Diaphragm Sensing Element



### SPECIFICATIONS

**PHYSICAL DATA (Standard)**  
-see page 2 for special features

- Maximum Ambient Temperature:** 180°F
- Minimum Ambient Temperature:** -20°F
- Vacuum Connection:** 1/4 NPT
- Electrical Connection:** 1/2 NPT
- Housing:** Diecast Aluminum - Painted per ASTM B117
- Deadband:** Fixed
- Sensitivity:** 1/2% of range (for one SPDT switch)
- Drift:** <1% of range (100,000 operations)
- Weight:** Approx. 1.5 lbs.
- Contact Ratings:** 15A - 125, 250, 480 VAC
- Port Fitting Material:** Brass
- Trim Material:** Anodized Aluminum
- Diaphragm Material:** Buna N
- Set Point Adjustment:** Screw type, field adjustable from 10 to 100% of range
- No. Contacts:** One or Two S.P.D.T.
- Contact Listings:** UL Recognized, CSA Certified

### Solon Manufacturing Company

425 Center Street, P.O. Box 207, Chardon, Ohio 44024  
(440) 286-7149 800-323-9717 FAX (440) 286-9047  
www.solonmfg.com

# ORDERING A SWITCH

2PSVAC

Vacuum Switch

Diaphragm Sensing Element

## 1. SPECIFY A MODEL NUMBER

**2PS**   **W**   **1**   **SSU**   **2**

MODEL SERIES

### HOUSING

"-" - NO HOUSING

W - WATERTIGHT - NEMA 4X, 12 & 13

### NUMBER OF ELECTRIC SWITCHES

1 - ONE S.P.D.T.

2 - TWO S.P.D.T. - (SWITCH TYPE "5" ONLY)

### SPECIAL FEATURES

M - 1/2 NPT MALE PIPE MOUNTING

Q - DOUBLE SNAP ACTING BELLEVILLE SPRING - TO PROVIDE POSITIVE SETPOINT ACCURACY IN HIGH VIBRATION APPLICATIONS

SS - STAINLESS STEEL WETTED TRIM MATERIAL

SN - BRASS WETTED TRIM MATERIAL

U - ADDITIONAL PAINTING AFTER ASSEMBLY

V - HIGH TEMPERATURE SERVICE - INCREASED FROM 180°F TO 250°F AMBIENT

Z - VITON DIAPHRAGM MATERIAL

### TYPE OF ELECTRIC SWITCHES

1 - LOW DEADBAND

15A - 125, 250, 480 VAC

2 - STANDARD DEADBAND

15A - 125, 250, 480 VAC; 0.5A - 125 VDC

3 - HIGH DC RATED (MAGNETIC BLOWOUT)

10A - 125 VDC; 3A - 250 VDC

5 - SUB MINIATURE SWITCH - 2 S.P.D.T.

5A - 125, 250 VAC; 0.5A - 125 VDC

6 - GOLD CONTACT -

1 A - 125 VAC

\* SPECIAL FEATURES SUCH AS STAINLESS TAGGING, OR SPECIAL WETTED PARTS; TEFLON, PVC, KYNAR, KALREZ, HASTELLOY, ETC. ARE AVAILABLE ON REQUEST. CONSULT FACTORY FOR CAPABILITIES AND PRICING FOR ANY FEATURES NOT SHOWN.

## 2. SPECIFY A RANGE

ADJUSTABLE VACUUM RANGE	MAXIMUM DEADBAND		MAX. WORKING PRESSURE
	TYPE "2"	TYPE "5"	
0-5 IN/HG	.53 HG	N/A	20 PSI
0-15 IN/HG	.67 HG	N/A	20 PSI
0-30 IN/HG	.90 HG	2.0 HG	20 PSI
-30/0/30 IN/HG	1.4 HG	N/A	20 PSI

## DEADBAND NOTES

The deadbands listed in the tables are the maximum switch differentials when the standard (Type "2" or Type "5") electric switch is used.

Deadband is affected by the type of electric switch used. Each type of electric switch's effect on deadband is as follows:

**Type "1"** - *Low Deadband* - Use ½ TYPE 2 table values.

**Type "2"** - *Std. Deadband* - Use TYPE 2 table values.

**Type "3"** - *High DC Rated* - Multiply TYPE 2 table values by two.

**Type "5"** - *Sub Miniature* - 2 S.P.D.T. - Use TYPE 5 table values.

**Type "6"** - *Gold Contact* - Use TYPE 2 table values.

## INSTALLATION NOTES

**Orientation** - The 2PS will operate satisfactorily in any position, however, mounting the device vertically will allow the easiest adjustability and reduce sediment in the vacuum chamber.

**Wiring** - Switches may be wired to 'normally open' or 'normally closed' terminals on electric switch(es). Single switch units have screw terminals while dual switch versions use a screw terminal block.

**Vacuum Connection** - 1/4 NPT female is standard. 1/2 NPT male is available ("M" option).

**Adjustment** - Turn vacuum adjustment nut(s) counterclockwise to increase setpoint. Detailed installation & calibration instructions are provided for every shipment. Factory setting is available at no charge.

## Wiring Schematic

