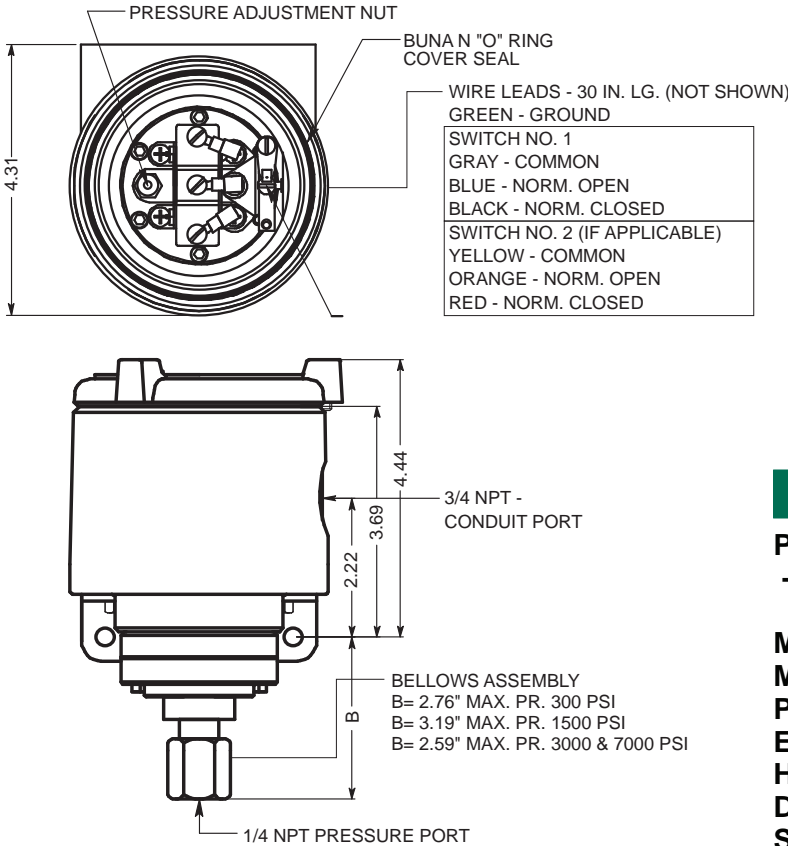


Explosion Proof Housing (NEMA 4, 7, & 9)
UL Listed Class I, Div. I, Gr. A, B, C, D
Ranges from 10 to 3000 PSI
One or Two SPDT Contacts
All Welded 316 Stainless Bellows



SPECIFICATIONS

PHYSICAL DATA (Standard)
 -see back for special features

Maximum Ambient Temperature: 180°F

Minimum Ambient Temperature: -20°F

Pressure Connection: 1/4 NPT

Electrical Connection: 3/4 NPT

Housing: 355/356 Cast Aluminum

Deadband: Fixed

Sensitivity: 1% of range (for 1 SPDT)

Drift: <2% of range (100,000 operations)

Weight: Approx. 4 lbs.

Contact Ratings: 15A - 125, 250 VAC (1 S.P.D.T.)

OR: 5A - 125, 250 VAC (2 S.P.D.T.)

Port Material: 316 Stainless Steel

Bellows Material: 316 Stainless Steel

Set Point Adjustment: Screw type, field adjustable

No. Contacts: One or Two S.P.D.T.

Contact Listings: UL Recognized, CSA Certified

42PSX FEATURES

The Model Series 42PSXB Pressure Switch is both rugged and versatile. The cast aluminum housing is Explosion Proof and Watertight while the switching mechanism is simple and proven. The bellows pressure-sensing elements are stainless steel assemblies. These assemblies allow a wide variety of adjustable pressure ranges to be available. See the Special Features section on the opposite side for a listing of available materials and options.

MANY OTHER 4PSX MODELS ARE AVAILABLE...

The versatile design of the 4PSX series allows a wide variety of sensing element arrangements and materials to be used in their construction. Diaphragm, Bellows, and Piston sensing elements are available. These sensing elements can be configured for Pressure, Vacuum, and Differential Pressure applications. Models with these features and with ranges from low pressure to high pressure are described in separate catalog sheets to make selection easy.



All models shown are Underwriters Laboratories, Inc. listed for use in Class I, Groups A, B, C, & D; Class II, Groups E, F, & G hazardous locations under File E65371.

Solon Manufacturing Company

425 Center Street, P.O. Box 207, Chardon, Ohio 44024

(440) 286-7149 800-323-9717 FAX (440) 286-9047

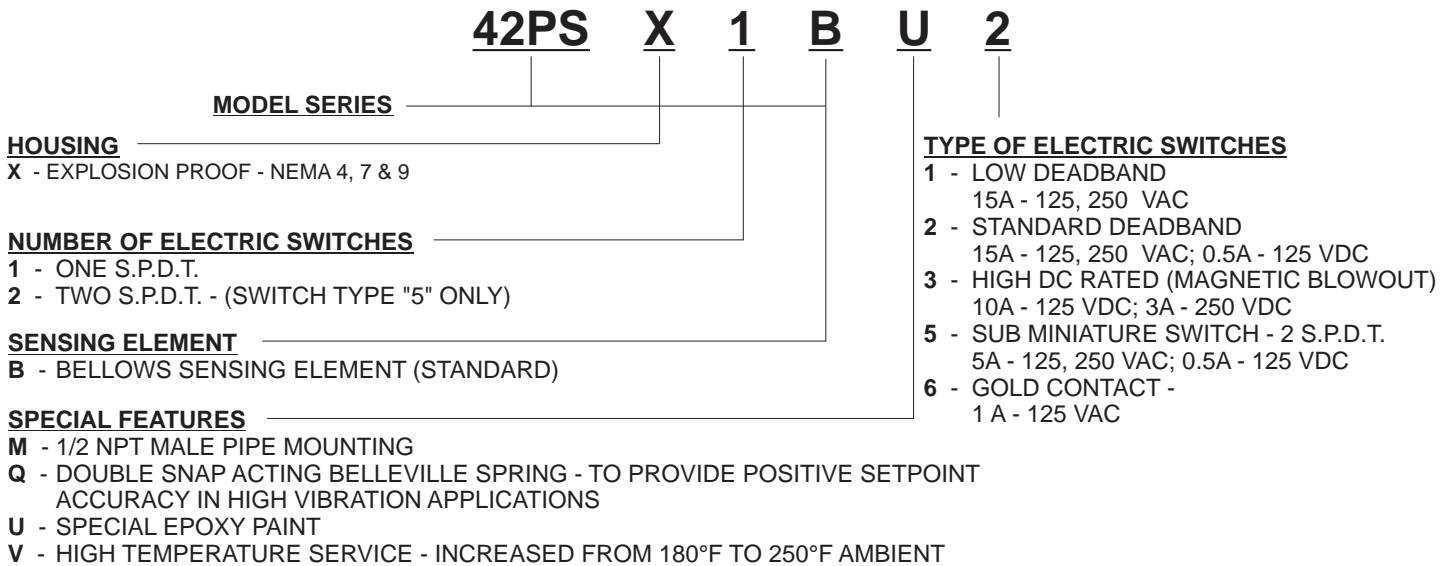
Email: solon@solonmfg.com

www.solonmfg.com

ORDERING A SWITCH

42PSXB Pressure Switch Bellows Sensing Element

1. SPECIFY A MODEL NUMBER



2. SPECIFY A RANGE

ADJUSTABLE PRESSURE RANGE	MAXIMUM DEADBAND		MAXIMUM PRESSURE	
	TYPE "2"	TYPE "5"	TYPE "2"	TYPE "5"
0-10 PSI	1.2 PSI	2.9 PSI	300 PSI	300 PSI
0-20 PSI	1.5 PSI	3.8 PSI	300 PSI	300 PSI
0-50 PSI	1.7 PSI	7.2 PSI	300 PSI	300 PSI
0-100 PSI	2.3 PSI	20.2 PSI	300 PSI	1500 PSI
0-250 PSI	8.8 PSI	36.8 PSI	1500 PSI	1500 PSI
0-500 PSI	12.0 PSI	84 PSI	1500 PSI	3000 PSI
0-750 PSI	24.5 PSI	107 PSI	3000 PSI	3000 PSI
0-1000 PSI	31.2 PSI	257 PSI	3000 PSI	7000 PSI
0-1500 PSI	83 PSI	317 PSI	7000 PSI	7000 PSI
0-3000 PSI	100 PSI	385 PSI	7000 PSI	7000 PSI

DEADBAND NOTES

The deadbands listed in the tables are the maximum switch differentials when the standard (type "2" or type "5") microswitch is used.

Deadband is affected by the type of microswitch used. Each type of microswitch's effect on deadband is as follows:

- Type "1" - Low Deadband** - Use 1/2 the TYPE 2 table values.
- Type "2" - Std. Deadband** - Use table values.
- Type "3" - High DC Rated** - Multiply TYPE 2 table values by 2.
- Type "5" - Sub Miniature** - 2 S.P.D.T. - See TYPE 5 table values.
- Type "6" - Gold Contact** - Use TYPE 2 table values.

INSTALLATION NOTES

Orientation - The 42PSXB will operate satisfactorily in any position, however, mounting the device vertically will allow the easiest adjustability and reduce sediment in the pressure chamber.

Wiring - Switches are provided pre-wired with 30" leads. To reduce the risk of explosion, conduit runs must have a sealing fitting connected within 18 inches of the enclosure.

Pressure Connection - 1/4 NPT female is standard. 1/2 NPT male is available ("M" option).

Adjustment - Turn pressure adjustment nut(s) clockwise to increase setpoint. Detailed installation & calibration instructions are provided for every shipment. Factory setting is available at no charge.

Wiring Schematic

