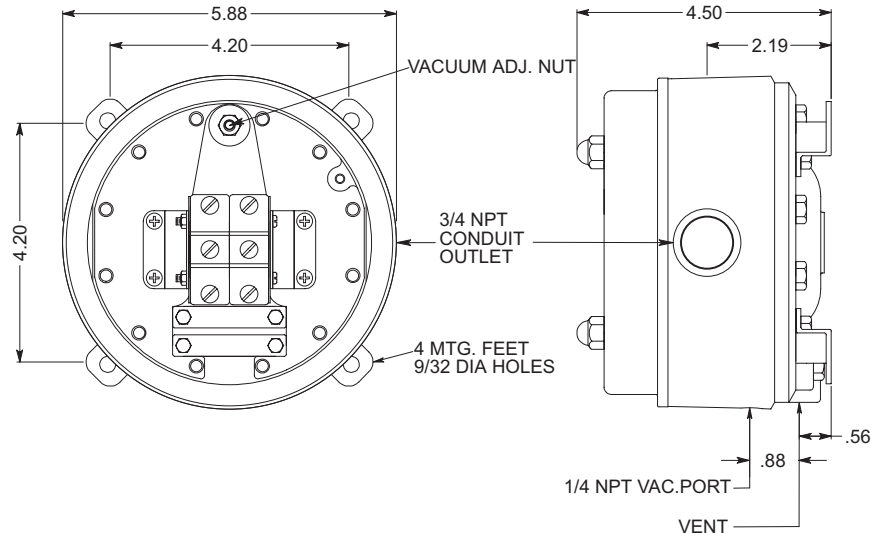




- Ranges from 0-30 IN/HG and -30/0/30 IN/HG
- Rugged NEMA 4X & 12 Housing Std.
- Class I, Div. I, Gr. C & D Available
- Up to Four SPDT Contacts
- Various Wetted Materials Available

MODEL SERIES 6PS Vacuum Switch Diaphragm Sensing Element



GENERAL DESCRIPTION

The Model Series 6PS Vacuum Switch is constructed using a rugged cast aluminum housing that incorporates Solon's standard "frictionless" switching mechanism actuated by a diaphragm. The housing can be specified 6PSW, watertight; or 6PSX, explosion proof. The housing is large enough to accommodate up to four full size S.P.D.T. electric switches. These electric switches are available in a variety of configurations including adjustable switch differential (dead band), D.P.D.T., High-Low operation, and manual reset. In addition many switching configurations can be supplied with electric switches that have:

- Low switch differentials (dead band).
- High direct current ratings.
- Gold contacts.
- Hermetically sealed contacts.

The standard vacuum-sensing element uses a strong Buna N elastomer diaphragm. Other diaphragm materials are available. See the Special Features section on page 2 for other materials and other options that are useful for particular applications.

SPECIFICATIONS

PHYSICAL DATA (Standard)

-see page 2 for special features

Maximum Ambient Temperature: 180°F

Minimum Ambient Temperature: -20°F

Vacuum Connection: 1/4 NPT

Electrical Connection: 3/4 NPT

Housing: Cast Aluminum

Deadband: Fixed

Sensitivity: 1/2% of range (for one SPDT switch)

Drift: <1% of range (100,000 operations)

Weight: Approx. 5 lbs.

Contact Ratings: 15A - 125, 250, 480 VAC

Port Material: Aluminum

Diaphragm Material: Buna N

Set Point Adjustment: Screw type, field adjustable

No. Contacts: 1, 2, 3 or 4 S.P.D.T or 1 D.P.D.T.

Contact Listings: UL Recognized, CSA Certified



Underwriters Laboratories, Inc. Listed:

Industrial Controls Equipment Type 4 & 12, File E130423, Pressure Operated Switch for Hazardous Locations, Class I, Groups C & D; Class II, Groups E, F, & G File E65371.



Canadian Standards Association Certified:

Industrial Control Equipment Type 4 & 12, LR88975. Switches Pressure Type for Hazardous Locations, Class I, Groups C & D; Class II, Groups E, F & G, LR88975.

Solon Manufacturing Company

425 Center Street, P.O. Box 207, Chardon, Ohio 44024
(440) 286-7149 800-323-9717 FAX (440) 286-9047
www.solonmfg.com

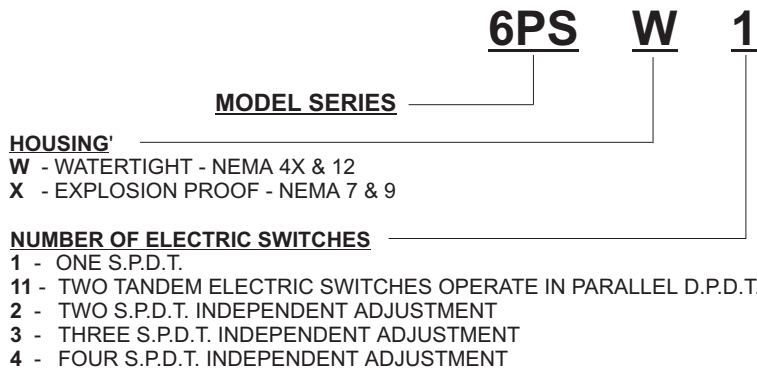
ORDERING A SWITCH

MODEL SERIES 6PS

Vacuum Switch

Diaphragm Sensing Element

1. SPECIFY A MODEL NUMBER



SPECIAL FEATURES

- "-" - NO SPECIAL FEATURES
- A** - ADJUSTABLE DEADBAND
- E** - EXTERNAL VACUUM ADJUSTMENT
- F** - FLANGE BASE MOUNTING (1 1/2" - 150# ASA FLANGE)
- J** - SAFETY SEAL
- L** - ONE INDICATOR LIGHT (NOT ON X HOUSING)
- LL** - TWO INDICATOR LIGHTS (NOT ON X HOUSING)
- M** - MALE PIPE MOUNTING 1/2 NPT
- P** - PANEL MOUNTING
- R>** - MANUAL RESET, SWITCH ON INCR. VAC.
- R<** - MANUAL RESET, SWITCH ON DECR. VAC.
- SS** - SPECIAL TRIM BASE 316 STAINLESS STEEL
- SI** - SPECIAL TRIM BASE TEFLON (NOT ON X SWITCHES)
- SY** - SPECIAL TRIM BASE PVC (NOT ON X SWITCHES)
- U** - ADDITIONAL PAINTING AFTER ASSEMBLY
- V** - HIGH TEMPERATURE SERVICE
- Z** - VITON DIAPHRAGM

TYPE OF ELECTRIC SWITCHES

- 1** - LOW DEADBAND
15A - 125, 250, 480 VAC
- 2** - STANDARD DEADBAND
15A - 125, 250, 480 VAC; 0.5A - 125 VDC
- 3** - HIGH DC RATED (MAGNETIC BLOWOUT)
10A - 125 VDC; 3A - 250 VDC
- 4** - HERMETICALLY SEALED SWITCH
1A-125VAC; 25A RES, 10A IND, 5A MOTOR
3A LAMP-28VDC
- 6** - GOLD CONTACT -
1 A - 125 VAC

* SPECIAL FEATURES SUCH AS STAINLESS TAGGING, OR SPECIAL WETTED PARTS; KYNAR, KALREZ, HASTELLOY, ETC. ARE AVAILABLE ON REQUEST. CONSULT FACTORY FOR CAPABILITIES AND PRICING FOR ANY FEATURES NOT SHOWN.

DEADBAND NOTES

The deadbands listed in the tables are the maximum switch differentials when the Type "1" or Type "2" electric switch is used.

Deadband is affected by the type of electric switch used. Each type of electric switch's effect on deadband is as follows:

Type "1" - *Low Deadband* - Use TYPE 1 table values.

Type "2" - *Std. Deadband* - Use TYPE 2 table values.

Type "3" - *High DC Rated* - Multiply TYPE 2 table values by two.

Type "4" - *Hermetically Sealed Switch* - Multiply TYPE 2 table values by six.

Type "6" - *Gold Contact* - Use TYPE 2 table values.

For D.P.D.T., 2, 3 or 4 S.P.D.T. switches multiply calculated value from above by 1.5 to 2.

2. SPECIFY A RANGE

ADJUSTABLE VACUUM RANGE	MAXIMUM DEADBAND PSI		MAX. WORKING PRESSURE
	TYPE "1"	TYPE "2"	
0-30 IN/HG	.3 HG	.6 HG	50 PSI
-30/0/30 IN/HG	.5 HG	1.0 HG	50 PSI

INSTALLATION NOTES

Orientation - The 6PS will operate satisfactorily in any position, however, mounting the device vertically will allow the easiest adjustability and reduce sediment in the vacuum chamber.

Wiring - Switches may be wired to 'normally open' or 'normally closed' terminals on electric switch(es).

Vacuum Connection - 1/4 NPT female is standard. 1/2 NPT male is available ("M" option).

Adjustment - Turn vacuum adjustment nut(s) clockwise to increase setpoint. Detailed installation & calibration instructions are provided for every shipment. Factory setting is available at no charge.

Wiring Schematic

